

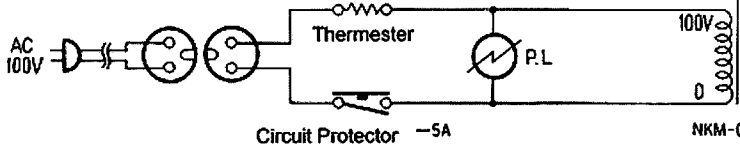
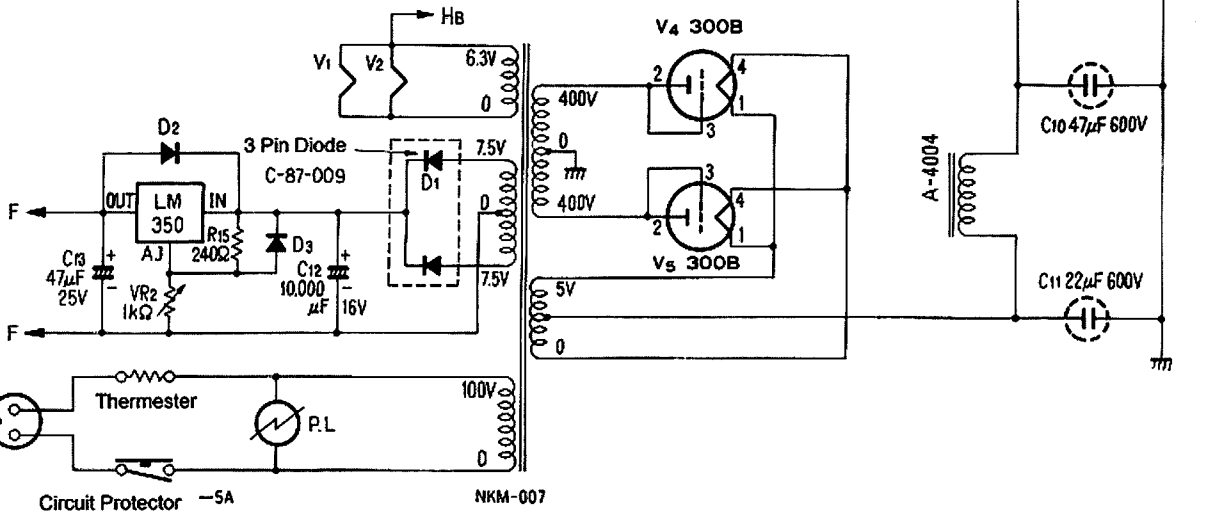
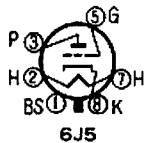
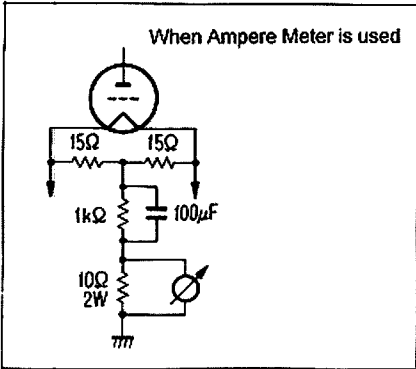
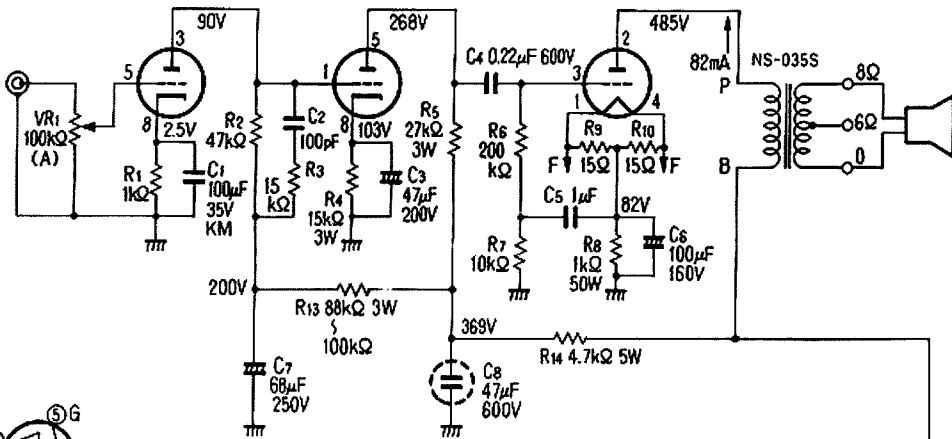
V₁ 6J5

V₂ 6AH4

V₃

300B

When Ampere Meter is used



Circuit Protector -5A

NKM-007