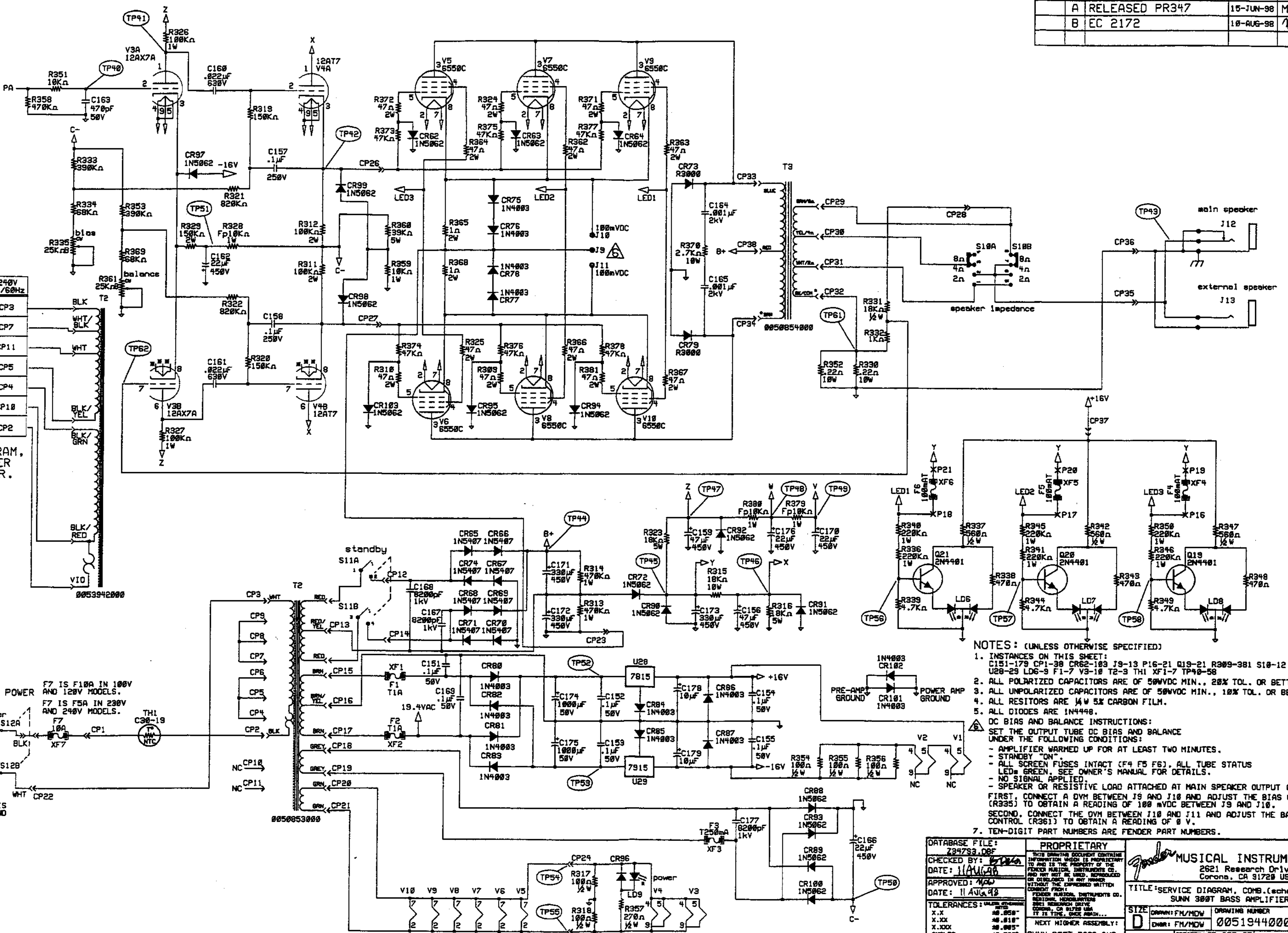


REVISIONS				
ZONE	REV.	DESCRIPTION	DATE	APPROVED
	A	RELEASED PR347	15-JUN-98	MDW
	B	EC 2172	18-AUG-98	MDW

100V 50/60Hz	230V 50/60Hz	240V 50/60Hz
CP8	CP7	CP3
CP10	CP3	CP7
CP3	CP11	CP11
CP5	CP5	CP5
CP7	CP4	CP4
CP4	CP18	CP18
CP2	CP2	CP2

WIRING DIAGRAM,
EXPORT POWER
TRANSFORMER.



LINE CORD
BLACK (EXPORT- BROWN)
WHITE (EXPORT- BLUE)
GREEN (EXPORT- GRN/YEL.)
TO CHASSIS GROUND

F7 IS F10A IN 100V
POWER AND 120V MODELS.
F7 IS F5A IN 230V
AND 240V MODELS.

- NOTES: (UNLESS OTHERWISE SPECIFIED)
- INSTANCES ON THIS SHEET:
C151-179 CP1-30 CR62-103 J9-13 P16-21 Q19-21 R309-381 S10-12
U28-29 LD6-9 F1-7 V3-10 T2-3 TH1 XF1-7 TP40-58
 - ALL POLARIZED CAPACITORS ARE OF 50WVDC MIN., 20% TOL. OR BETTER.
 - ALL UNPOLARIZED CAPACITORS ARE OF 50WVDC MIN., 10% TOL. OR BETTER.
 - ALL RESISTORS ARE 1/4W 5% CARBON FILM.
 - ALL DIODES ARE 1N4448.
- DC BIAS AND BALANCE INSTRUCTIONS:
SET THE OUTPUT TUBE DC BIAS AND BALANCE UNDER THE FOLLOWING CONDITIONS:
- AMPLIFIER WARMED UP FOR AT LEAST TWO MINUTES.
- STANDBY ON
- ALL SCREEN FUSES INTACT (F4 F5 F6). ALL TUBE STATUS LEDs GREEN. SEE OWNER'S MANUAL FOR DETAILS.
- NO SIGNAL APPLIED
- SPEAKER OR RESISTIVE LOAD ATTACHED AT MAIN SPEAKER OUTPUT (J12).
FIRST, CONNECT A DVM BETWEEN J9 AND J10 AND ADJUST THE BIAS CONTROL (R335) TO OBTAIN A READING OF 100 mVDC BETWEEN J9 AND J10.
SECOND, CONNECT THE DVM BETWEEN J10 AND J11 AND ADJUST THE BALANCE CONTROL (R361) TO OBTAIN A READING OF 0 V.
7. TEN-DIGIT PART NUMBERS ARE FENDER PART NUMBERS.

DATABASE FILE: 294759.DBF CHECKED BY: DATE: 11 AUG 98 APPROVED: MDW DATE: 11 AUG 98 TOLERANCES: UNLESS OTHERWISE SPECIFIED: .X.X .050" .X.XX .010" .X.XXX .005" ANGLES .000"	PROPRIETARY THIS DRAWING CONTAINS PROPRIETARY INFORMATION WHICH IS THE PROPERTY OF FENDER MUSICAL INSTRUMENTS CO. NO PART OF THIS DRAWING IS TO BE REPRODUCED OR TRANSMITTED IN ANY FORM OR BY ANY MEANS WITHOUT THE EXPRESS WRITTEN CONSENT FROM FENDER MUSICAL INSTRUMENTS CO. 2621 Research Drive Corona, CA 92729 USA NEXT HIGHER ASSEMBLY: SUNN 300T BASS AMP.	Fender MUSICAL INSTRUMENTS 2621 Research Drive Corona, CA 92729 USA TITLE: SERVICE DIAGRAM, COMB.(schematic) SUNN 300T BASS AMPLIFIER SIZE: D DRAWN: FM/MDW DRAWING NUMBER: 0051944000 REV. B ENGR: FM/MDW CREATED: 05-APR-97 PLOTTED: 11-AUG-98 SHEET 3 OF 4
--	---	--